

PRODUCT TECHNICAL SHEET

Collection : **CONTEMPORARY**

Ref. : **6231.11.56**

Porte-papier toilette de réserve

Reserve toiletpapier houder

Reserve toilet paper holder

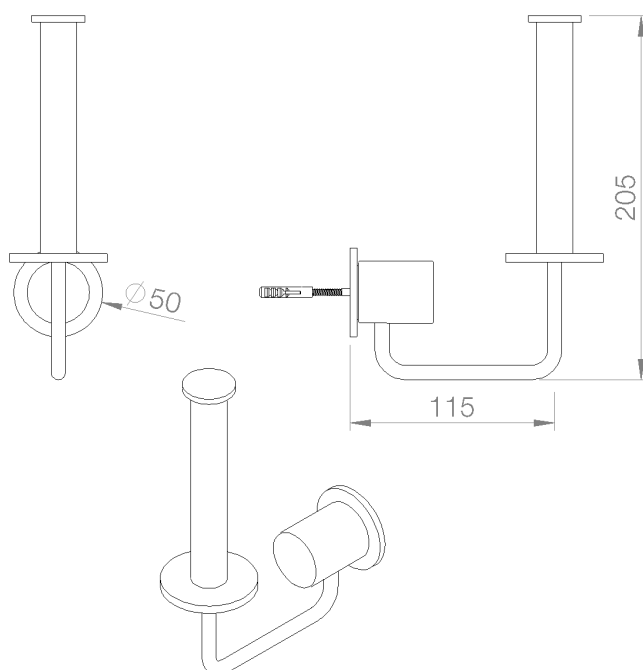
Picture

Product details

Weight : 1,0 kg



Technical drawing



RAO.V01